

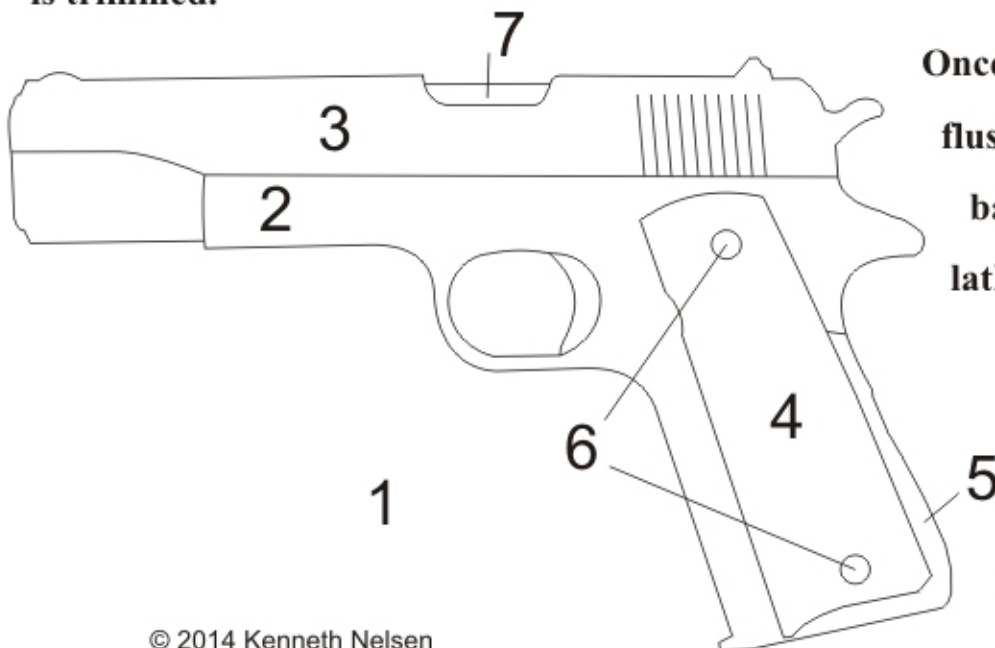
Instructions for the M1911 Pistol Inlay Kit



There's a total of 8 pieces in this kit. The woods used are Black dyed Alder, Grey dyed Alder, Lacewood and Curly Maple.

We'll start by sliding the brass tube into the maple barrel. This will help align the pieces as the kit is being assembled. Insert pieces #2 & #3 into position and secure with one of the supplied elastic bands. Once these 2 pieces are in place, proceed in numerical order until all pieces are in position. Wrap the assembly with a couple more elastic bands to hold everything in place.

Remove the brass tube and permanently secure the pieces by flooding thin CA glue over all the seams. Once the thin CA has completely cured we're going to glue in the brass tube. Scuff up the tube with 100G sandpaper before gluing. I prefer 2-part epoxy to glue the brass tube in place. Center the brass tube so that the rifle will be centered when the barrel is trimmed.



Once all glue has cured, sand the ends flush to the brass tube (don't use a barrel trimmer) and mount on the lathe for turning and finishing.